



KV-AH898

KV-AH898 megapixel Analog HD IR Bullet camera, which adopts progressive scan technology, supports 1920x1280 resolution without compromising the image clarity.

The image is much clearer than the one of analog camera under the same circumstances.

In addition, it will automatically brighten the video image to form a color video under low illumination.

Ko View

KO VISION



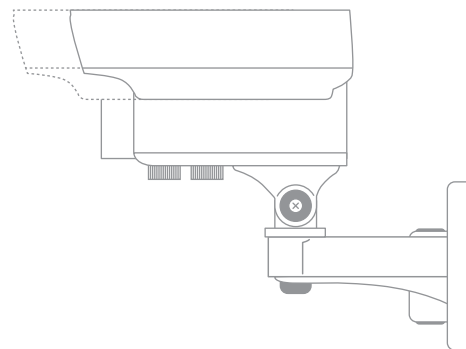
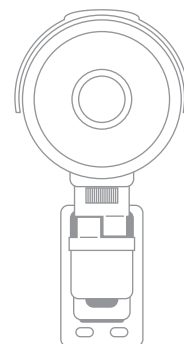
Main Functions

- Day and night shift by IR cut
- DNR(Digital Noise Reduction)
- Automatic exposure, white balance and gain control
- Support Electronic Shutter
- IP66 Waterproof



Technical parameters

Image sensor	1/4" CMOS Sensor, 2 M Pixel
Exposure mode	Automatic exposure, white balance and gain control
Lens	2.8-10mm Varifocal/2.8/4/6/8/12/16mm Optional
Min. illumination	0.01Lux (Color),0Lux (IR Led on)
Focus	Manual
Tilt range	0 to 55°adjustable by manual
Day/Night shift	IR-CUT
Preview resolution	1920×1080
Video compression	H.264
Video compression bit rate	500Kbps-3Mbps
Video frame rate	50Hz: 1920x1080(12fps) 60Hz: 1920x1080(12fps)
Communication interface	BNC
Dust & water resistant	IP66
Mode of Connection	PoE
Power input	DC 12V 1A
Back-end equipments	PC /AHDVDR
Power consumption	Max. 8W
Working temperature	-20°C ~ +70°C
Working humidity	10 ~ 85%
Weight	~ 2kg
Measurement(WxL)	Φ115x145mm



☎ +852 2793 3800
 📠 +852 2763 4074