



KV-AH370

KV-AH370 megapixel Analog HD IR DOME camera,
which adopts progressive scan technology,
supports 1280×720 resolution
without compromising the image clarity.

The image is much clearer
than the one of analog camera under the same circumstances.
In addition, it will automatically brighten the video image
to form a color video under low illumination.

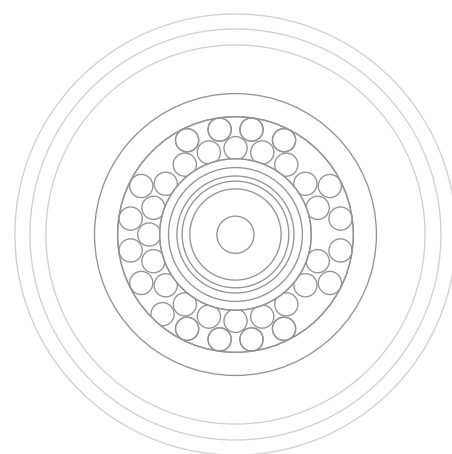


Main Functions

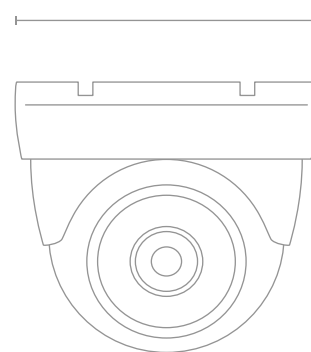
- Day and night shift by IR cut
- DNR(Digital Noise Reduction)
- Automatic exposure, white balance and gain control
- Support Electronic Shutter

Technique parameters

Image sensor	1/4" CMOS Sensor, 1M Pixel
Exposure mode	Automatic exposure, white balance and gain control
Lens	2.8mm (/4/6/8/12/16mm Optional)
Min. illumination	0.01Lux (Color),0Lux (IR Led on)
Focus	Manual
Tilt range	0 to 55°adjustable by manual
Day/Night shift	IR-CUT
Preview resolution	1280×720
Video compression	H.264
Video compression bit rate	500Kbps-3Mbps
Video frame rate	50Hz: 1280×720 (25fps) 60Hz: 1280×720 (25fps)
Communication interface	BNC
Power input	DC 12V 1A
Back-end equipments	PC /AHDVDR
Power consumption	Max. 8W
Working temperature	-20°C~+70°C
Working humidity	10 ~ 85%
Weight	0.40kg
Measurement(WxLxH)	80.0x75.5x145.0mm



88mm



145mm