



FRONT DESK UNIT



Informative, Intelligent, Hotel-specific

The Front Desk Unit is a complete security management system. It comprises of hotel-specific PC-based UniQey Card Encoding Software and offers an appropriate interface with your own Property Management System.

Features include:

- the card record audit trail - who encoded which card and when
- one exclusive encoder for all Master Keys, Staff Keys and Guest Keys
- an optional printer for hard copies of Management Information
- the portable Programmer/Data Collector



The portable Programmer/Data Collector provides a lock programming facility, overrides locks in emergencies and collects data from the Audit Trail when required.

Optional and additional satellite key encoding stations enable Guest Room Key encoding at registration desks, to a maximum of fifteen per hotel.

The Front Desk Unit system provides integrated management information for the 'Universal Pro' range and the 'Premiere' range.

All this is backed up by a professional system support service, where our standards of technical and customer support are second to none and the enthusiasm and skill of our team means you can be assured of total satisfaction.



Enter the next level

PRODUCT INFORMATION

SYSTEM REQUIREMENTS FOR THE UNIKEY FRONT DESK UNIT SOFTWARE

The system supplied by Unikey Security Limited for the application of the **Unikey Front Desk Unit** software has the following specification. Please be advised that a lower specification may cause the operation of the FDU to be seriously impaired or not work at all.

- ☐ Pentium II mini tower PC running at 233MHz minimum
- ☐ 32Mb RAM
- ☐ 1.44Mb FDD
- ☐ 1Gb HDD
- ☐ SVGA PCI Video Card
- ☐ Internal CD ROM
- ☐ 9-pin Serial Port (x2)
- ☐ Parallel Port (x1)
- ☐ 15" SVGA Colour Monitor
- ☐ PS2 Mouse
- ☐ Keyboard
- ☐ Windows 9x or higher - loaded

Due to Unikey's continuous development of its products, specifications are subject to change without prior notice.

The Front Desk Unit is supplied with a Master Card set.



聯術防盜系統有限公司
UNIFORCE SECURITY SYSTEMS LTD.

香港九龍官塘駿業街66號巧理工業大廈3樓C座
Flat C, 3/F., Howard Ind., Bldg., 66 Tsun Yip Street,
Kwun Tong, Kowloon, H.K.
Tel.: 2793 3800-3 (24 hours) Fax.: 2763 4074
Website: <http://www.uniforce.com.hk>
E-mail: enquiry@uniforce.com.hk

Enter the next level

uniQey

UNIKEY WORLDWIDE HEADQUARTERS

Unikey Security Limited
8-10 Clos Menter
Excelsior Business Park
Cardiff
Wales CF14 3AY

T +44 (0) 29 2052 0022
F +44 (0) 29 2052 0178
E sales@unikey.co.uk

UNIKEY - UNITED ARAB EMIRATES

T (971) 4 343 4499
F (971) 4 343 5525

UNIKEY - NEW YORK

T (800) 400 5677 Toll Free
F (718) 777 3787

Part of the MR Sentire group
of companies

Always the first name in
hospitality security



BS EN ISO 9001
Registration No. FM31361



THE 'PREMIERE' RANGE

Sophisticated, Flexible, Enduring

The 'Premiere' range is an alternative option to the 'on the door', single assembly, Electronic Guest Room Lock.

This innovative range is 'off the door' with all the electronics concealed separately, offering low profile and high security, designed with an eye to the future.

The beauty of this range is the flexibility and freedom of the design.

- mechanical and electronic modules can be positioned to suit the hotel
- does not interfere with the furnishings, fittings or design.
- customised variations can be engineered to order.

The Modular Guest Room Lock performs all the functionality of an 'on the door' lock in a highly secure and stylish package. You get a lot more than the eye can see, that's the beauty of this range.

- entire range of door handles, mortise dead bolts and dead-locking mortise latches can be used from any supplier
- it may be possible to retain existing fittings
- electronic controller controls access, tracks and lists all card usage times, dates, entries, exits, 'door left open periods' and more
- provides extensive information for audit trails.

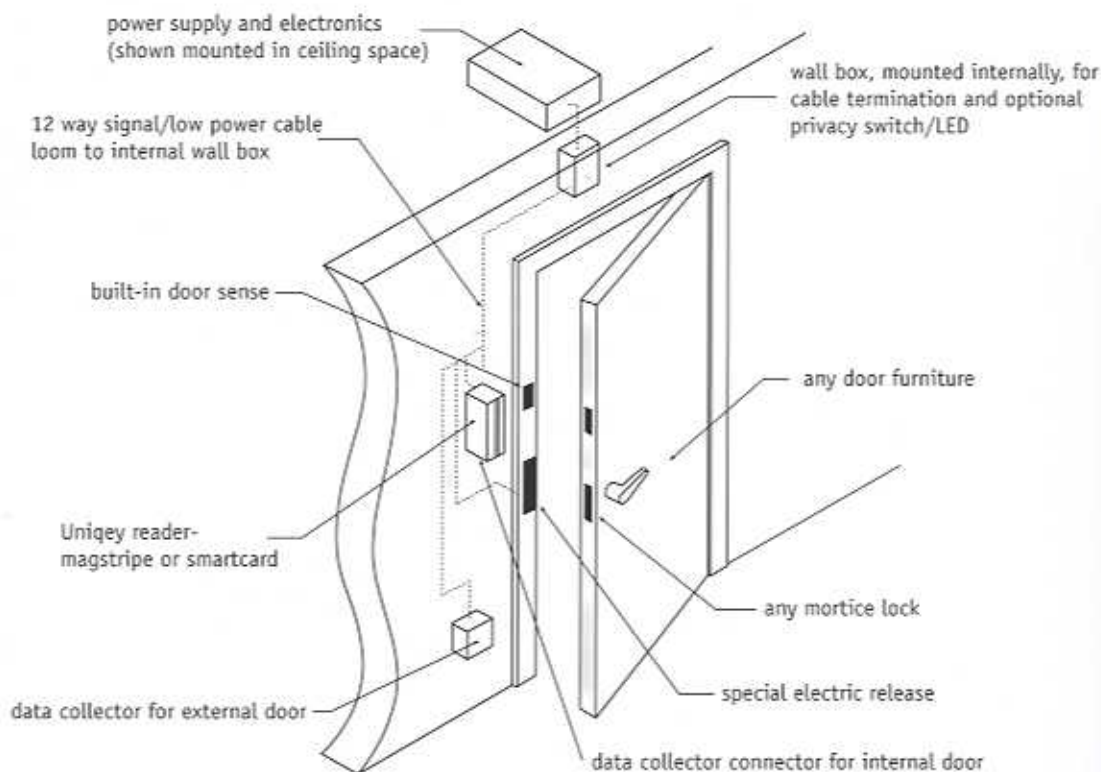


The Premiere 'Smartqey' smart card option is another Industry first and once again we are leading the field with the development of state of the art technology. Beware of imitations, this is surely the model for the future and the ultimate, most desirable Guest Room Locking solution.

- proximity, or non-contact smart card technology replaces the traditional magnetic stripe reader and card
- data encoded for guest rooms and other facilities such as payment systems
- highly secure encrypted smart card encoding with multifunction application capabilities
- entry readers can be flush, surface mounted or tailored to your specific requirement
- an interior designers dream

MECHANICAL SPECIFICATION

Premiere electronic lock - modular architecture



SMARTQEy OPTIONS

Using a Radio Frequency Identification (RFID) contactless smart card, the following options are available

Read-Only Reader - Suitable for Identification Applications such as Guest Room Security and Access Control.

Read-Write Reader - Suitable for Data Exchange Applications such as Payment Systems and EPOS as well as Guest Room Security and Access Control.

To complete the offering from a design perspective, UniQey can offer integration of the reader module into a custom housing, custom labelling and a range of colour finishes to suit most installations.



聯衛防盜系統有限公司
UNIFORCE SECURITY SYSTEMS LTD.

香港九龍官塘敬業街66號巧理工業大廈3樓C座
Flat C, 3/F., Howard Ind., Bldg., 66 Tsun Yip Street,
Kwun Tong, Kowloon, H.K.
Tel.: 2793 3800-3 (24 hours) Fax.: 2763 4074
Website: <http://www.uniforce.com.hk>
E-mail: enquiry@uniforce.com.hk

Enter the next level

UNIQEy WORLDWIDE HEADQUARTERS

UniQey Security Limited
8-10 Clos Menter
Excelsior Business Park
Cardiff
Wales CF14 3AY

T +44 (0) 29 2052 0022
F +44 (0) 29 2052 0178
E sales@uniqey.co.uk

UNIQEy - UNITED ARAB EMIRATES

T (971) 4 343 4499
F (971) 4 343 5525

UNIQEy - NEW YORK

T (800) 400 5677 Toll Free
F (718) 777 3787

Part of the MR Sentire group
of companies

Always the first name in
hospitality security



BS EN ISO 9001
Registration No. FM01361





PRODUCTS AND SERVICES

Advanced, High Tech, Complete

As part of the MR Sentire Group of Companies, UniQey can add the Group's principal interests in high technology products for the security market, to the portfolio offered to the hotel and leisure industry.

UniQey can provide a full range of Electronic Guest Room Locking solutions together with integrated security systems for both front and back of house, these include:

- ☐ EPOS
- ☐ Room Safes
- ☐ Access Control
- ☐ Photo ID
- ☐ Time and Attendance
- ☐ CCTV
- ☐ Energy Management
- ☐ Fire and Emergency Systems
- ☐ Telecommunications
- ☐ IT Networks

The latest available technologies are employed, such as RFID proximity, Biometrics and Web Server-based access controllers, all backed from a UK-based manufacturing facility with experienced Engineers providing support 24 hours a day, if needed.



With over twenty years of experience in providing Electronic Guest Room Locking solutions to the hospitality and leisure industry, you can be assured that our specialist knowledge and our ongoing commitment to service and support will guarantee your security and success.

We are specialists in this field and in developing new technology and products to meet specific needs, **can you afford not to come to the industry's market leader?**



Enter the next level



PRODUCTS AND SERVICES

CONSULTANCY, DESIGN, DELIVERY

UniQey, in partnership with you and your staff, can provide the single source, turnkey solution that compliments your operation in its efficiency and professionalism.

From the initial consultation where we listen to what you have to say, through the design of the proposal and selection of products, to the delivery of the solution - UniQey will be your partner throughout

We may introduce business partners and high quality products, this ensures that you receive the best possible solution from the most professional sources. Your guarantee is that all this is managed by UniQey and over twenty years of experience in the hospitality and leisure industry.

SERVICE, SUPPORT, PEACE OF MIND

UniQey firmly believes in forging partnerships with our customers and building sustainable relationships; our customer care policy is respected industry-wide. We will train your staff efficiently and effectively, supplying a tailored and ongoing customer care programme complimented by first rate specialist support 24 hours a day.

With UniQey as your partner you know the solution is to hand.



UniQey is the first choice for hospitality security in many of the worlds' finest hotels



聯衛防盜系統有限公司
UNIFORCE SECURITY SYSTEMS LTD.

香港九龍官塘敬業街66號巧輝工業大廈3樓C座
Flat C, 3/F., Howard Ind., Bldg., 66 Tsun Yip Street,
Kwun Tong, Kowloon, H.K.
Tel.: 2793 3800-3 (24 hours) Fax.: 2763 4074
Website: <http://www.uniforce.com.hk>
E-mail: enquiry@uniforce.com.hk

Enter the next level



UNIQEY WORLDWIDE HEADQUARTERS

UniQey Security Limited
8-10 Clos Menter
Excelsior Business Park
Cardiff
Wales CF14 3AY

- T +44 (0) 29 2052 0022
- F +44 (0) 29 2052 0178
- E sales@uniqey.co.uk

UNIQEY - UNITED ARAB EMIRATES

- T (971) 4 343 4499
- F (971) 4 343 5525

UNIQEY - NEW YORK

- T (800) 400 5677 Toll Free
- F (718) 777 3787

Part of the MR Sentire group of companies

Always the first name in hospitality security



BS EN ISO 9001
Registration No. FMS1361



THE 'UNIVERSAL PRO' RANGE

Sophisticated, Flexible, Enduring

Developed with twenty years application specific knowledge, the 'Universal Pro' range is a flexible, robust, custom-built solution for hotel wide security management, no matter how large or small.

The 'UniQey' itself is the essential component of the system, a magnetic stripe card that uniquely identifies each guest, resident or staff member.

Recognised as the best card readers for hotel guest room doorlocks, the 'Universal Pro' range provides cost-effective, complete security for your hotel and peace of mind for your guests and staff:

- protects hotel guest personnel and property
- protects hotel property and storage areas
- controls access precisely
- severely limits opportunities for crime
- enables you to establish security related facts
- enhances your business operation and reputation



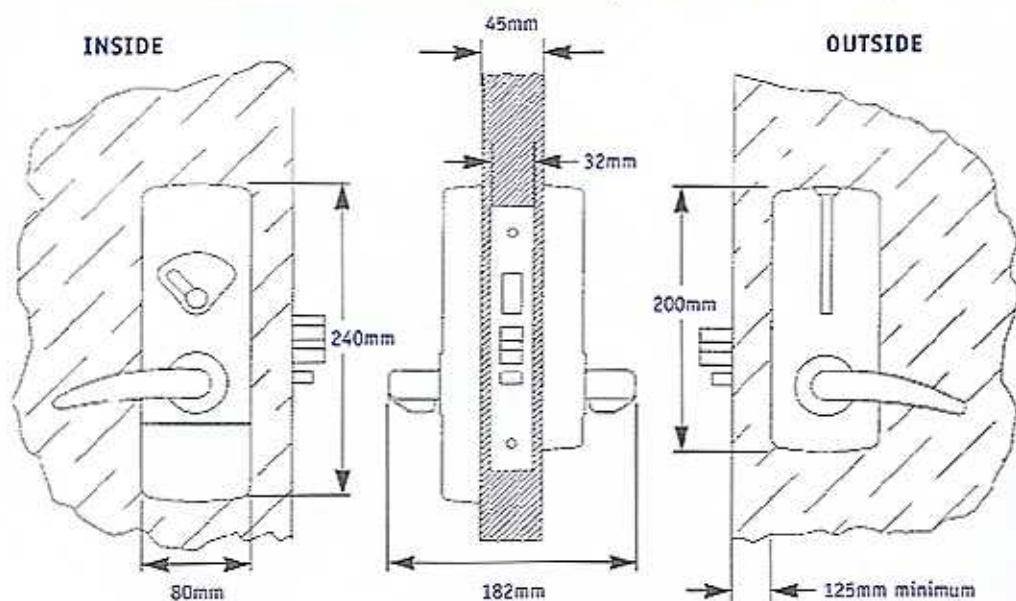
The 'Universal Pro' door lock is an intelligent, stand alone **Guest Room and Conference Room lock**. Efficient and effective.

- battery powered with a typical four year expectancy
- stylish all-metal cast housing, available in a full range of colours and finishes
- controls access, tracks and lists all card usage times, dates, entries, exits, 'door left open periods' and more.
- data is retained in a long-term, real-time audit trail for future analysis

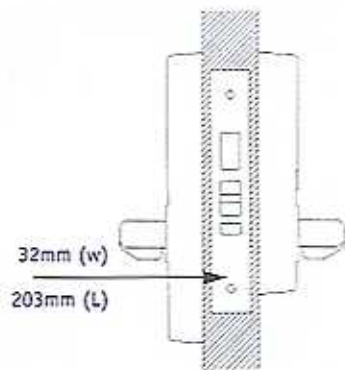
uniQey

MECHANICAL SPECIFICATION

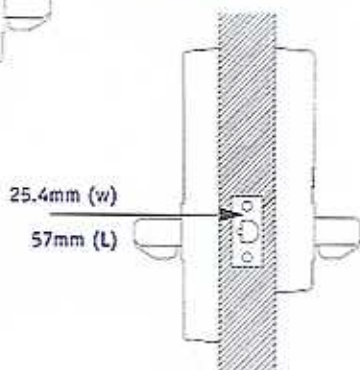
Universal Pro-Lock Assembly 鎖具組裝



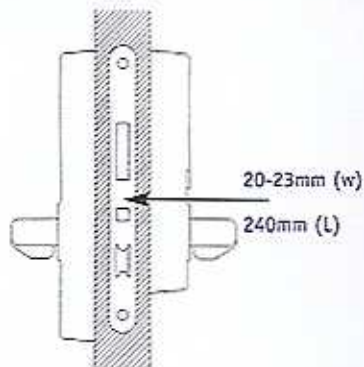
TYPICAL ANSI MORTISE WITH DEADBOLT



TYPICAL CYLINDER LOCK



TYPICAL EURO MORTISE WITH DEADBOLT



聯衛防盜系統有限公司
UNIFORCE SECURITY SYSTEMS LTD.

香港九龍官塘維業街66號巧運工業大廈3樓C座
Flat C, 3/F., Howard Ind., Bldg., 66 Tsun Yip Street,
Kwun Tong, Kowloon, H.K.
Tel.: 2793 3880-3 (24 hours) Fax.: 2763 4074
Website: <http://www.uniforce.com.hk>
E-mail: enquiry@uniforce.com.hk

Enter the next level

uniQey

UNIQEY WORLDWIDE HEADQUARTERS

Uniqey Security Limited
8-10 Clos Menter
Excelsior Business Park
Cardiff
Wales CF4 3AY

- ☎ +44 (0) 29 2052 0022
- ☎ +44 (0) 29 2052 0178
- ✉ sales@uniqey.co.uk

UNIQEY - UNITED ARAB EMIRATES

- ☎ (971) 4 343 4499
- ☎ (971) 4 343 5525

UNIQEY - NEW YORK

- ☎ (800) 400 5677 Toll Free
- ☎ (718) 777 3787

Part of the MR Sentire group
of companies

Always the first name in
hospitality security



BS EN ISO 9001
Registration No. FA31361

